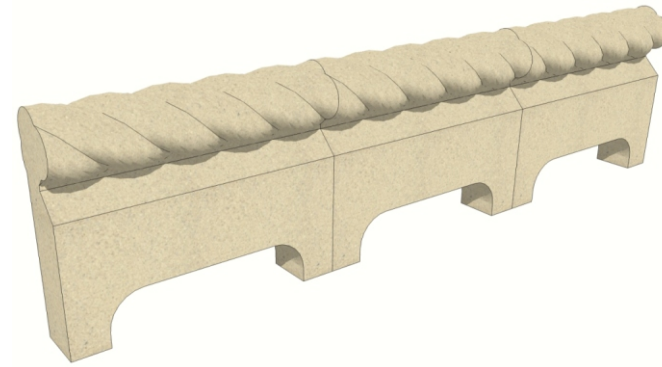
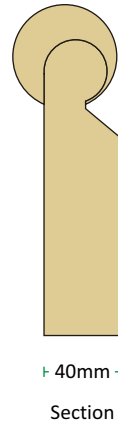
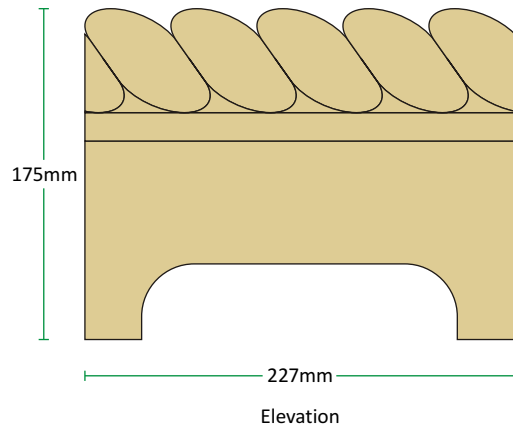


Rope and Plain Bed Edging

Both our classically inspired Rope Edging and our simple Plain Edging can add a perfect detail to your lawn or flower bed.

Rope Edging



Bed Edging

Straights and Corners		Height	Width	Length	Weight
Description	Code	(mm)	(mm)	(mm)	(Kg)
Rope Edging - Straight	C200	175	55	227	4
Plain Edging - Straight	C400	200	75	500	16
Plain Edging - Corner	C401	200	75	200	12

Plain Edging

